

# JCG60R180S

## *Product Preview*

**600V 180mΩ Superjunction MOSFET**

**Features**

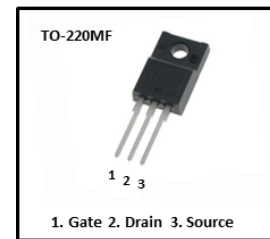
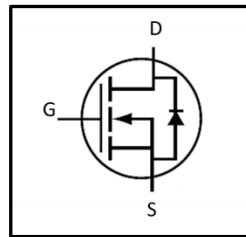
- Advanced superjunction technology
- Ultra-low on-resistance and gate-charge
- RoHS compliant
- 100% avalanche tested



Product Summary	
V <sub>DS</sub>	600 V
R <sub>DS(ON)</sub>	150 mΩ (Typ.)
	180 mΩ (Max.)
I <sub>D</sub>	19 A

**Applications**

- Server/PC
- Telecom
- LED Applications


**Ordering Information**

Part Number	Marking	Package	Packaging
JCG60R180S	CG60R180S	TO-220MF	Tube

**Absolute Maximum Ratings**

Parameter	Symbol	Limit	Unit
Drain-to-Source Voltage	$V_{DSS}$	600	V
Gate-to-Source Voltage	$V_{GSS}$	$\pm 30$	V
Continuous Drain Current, Silicon Limited ( $T_C = 25^\circ\text{C}$ ) <sup>(1),(2)</sup>	$I_D$	19	A
Continuous Drain Current, Silicon Limited ( $T_C = 100^\circ\text{C}$ ) <sup>(1),(2)</sup>	$I_D$	12	A
Pulsed Drain Current <sup>(3)</sup>	$I_{DM}$	57	A
Avalanche Energy, Single Pulse <sup>(4)</sup>	$E_{AS}$	76	mJ
Power Dissipation ( $T_C = 25^\circ\text{C}$ )	$P_D$	36	W
Avalanche Current <sup>(4)</sup>	$I_{AS}$	4	A
Junction Temperature	$T_J$	-55 to 150	°C
Storage Temperature	$T_{STG}$	-55 to 150	

**Thermal Characteristics**

Parameter	Symbol	Max	Unit
Junction-to-Ambient Thermal Resistance	$R_{\theta JA}$	62.5	°C/W
Junction-to-Case Thermal Resistance	$R_{\theta JC}$	3	

**Static Electrical Characteristics <sup>(5)</sup>**

Parameter	Symbol	Test Conditions	Min	Typ	Max	Unit
Drain-to-Source Breakdown Voltage	$BV_{DSS}$	$V_{GS} = 0\text{ V}, I_D = 1\text{ mA}$	600	-	-	V
Gate Threshold Voltage	$V_{GS(TH)}$	$V_{DS} = V_{GS}, I_D = 1.7\text{ mA}$	2.5	-	4.5	
Drain-to-Source Leakage Current	$I_{DSS}$	$V_{DS} = 600\text{ V}, V_{GS} = 0\text{ V}$	-	-	1	$\mu\text{A}$
Gate-to-Source Leakage Current	$I_{GSS}$	$V_{DS} = 0\text{ V}, V_{GS} = \pm 30\text{ V}$	-	-	$\pm 100$	nA
Drain-to-Source On-Resistance	$R_{DS(ON)}$	$V_{GS} = 10\text{ V}, I_D = 8.5\text{ A}$	-	150	180	m $\Omega$
Gate Resistance	$R_G$	$f = 1\text{ MHz}, \text{ open drain}$	-	1.3	-	$\Omega$

**Dynamic Electrical Characteristics <sup>(5)</sup>**

Parameter	Symbol	Test Conditions	Min	Typ	Max	Unit
Total Gate Charge	$Q_g$	$V_{GS} = 10\text{ V},$ $V_{DS} = 400\text{ V},$ $I_D = 8.5\text{ A}$	-	31	-	nC
Gate-to-Source Charge	$Q_{gs}$		-	6	-	
Gate-to-Drain Charge	$Q_{gd}$		-	16	-	
Turn-On Delay Time	$t_{d(on)}$	$V_{GS} = 10\text{ V},$ $V_{DS} = 400\text{ V},$ $I_D = 8.5\text{ A},$ $R_G = 10\ \Omega$	-	12	-	ns
Rise Time	$t_r$		-	8	-	
Turn-Off Delay Time	$t_{d(off)}$		-	53	-	
Fall Time	$t_f$		-	10	-	
Input Capacitance	$C_{iss}$	$V_{GS} = 0\text{ V}, f = 250\text{ kHz},$ $V_{DS} = 400\text{ V}$	-	1240	-	pF
Output Capacitance	$C_{oss}$		-	34	-	
Reverse Transfer Capacitance	$C_{rss}$			3		
Effective Output Capacitance, Energy Related <sup>(6)</sup>	$C_{o(er)}$	$V_{GS} = 0\text{ V}, V_{DS} = 0\text{ V to } 400\text{ V}$		54		pF
Effective Output Capacitance, Time Related <sup>(7)</sup>	$C_{o(tr)}$	$V_{GS} = 0\text{ V}, V_{DS} = 0\text{ V to } 400\text{ V}$		381		pF

**Source Drain Characteristics <sup>(5)</sup>**

Parameter	Symbol	Test Conditions	Min	Typ	Max	Unit
Diode Forward Voltage	$V_{SD}$	$V_{GS} = 0\text{ V}, I_F = 8.5\text{ A}$	-	-	1.2	V
Reverse Recovery Time	$t_{rr}$	$V_R = 400\text{ V},$ $I_F = 8.5\text{ A},$ $di_F/dt = 100\text{ A/us}$	-	274	-	ns
Reverse Recovery Charge	$Q_{rr}$		-	4	-	$\mu\text{C}$
Peak Reverse Recovery Current	$I_{rrm}$		-	-	-	A

(1) Limited by maximum  $T_{J\text{max}}$ . Maximum duty cycle  $D=0.75$ .

(2) Rated according to  $R_{\theta JA}$ .

(3) Repetitive rating: pulse-width limited by maximum junction temperature.

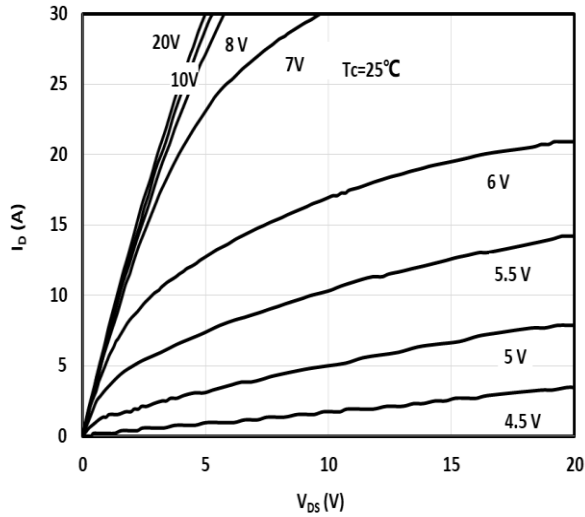
(4)  $T_A = 25^\circ\text{C}, R_G = 25\ \Omega, I_{AS} = 4\text{ A}$ .

(5)  $T_J = 25^\circ\text{C}$  unless otherwise specified.

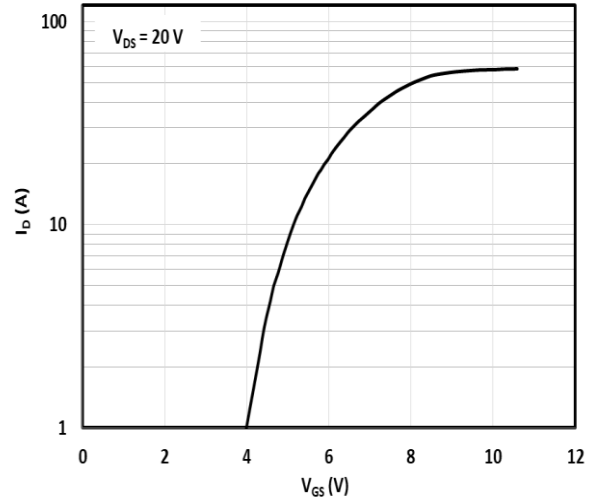
(6)  $C_{o(er)}$  is an equivalent capacitance that provides the same stored energy as  $C_{oss}$  while  $V_{DS}$  is changing from 0 to 400 V.

(7)  $C_{o(tr)}$  is an equivalent capacitance that provides the same charging time as  $C_{oss}$  while  $V_{DS}$  is changing from 0 to 400 V.

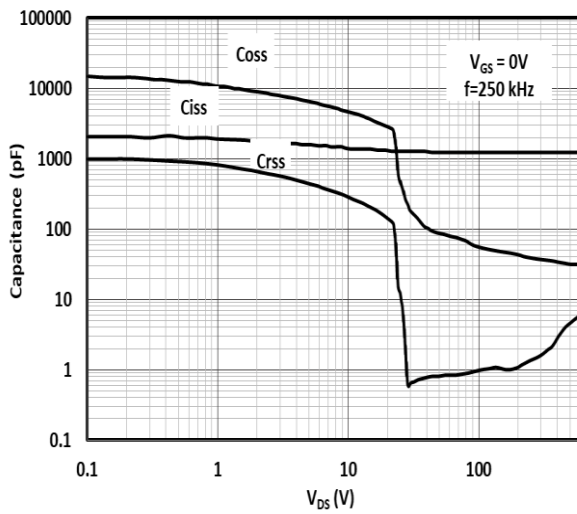
**Electrical Characteristics Diagrams**



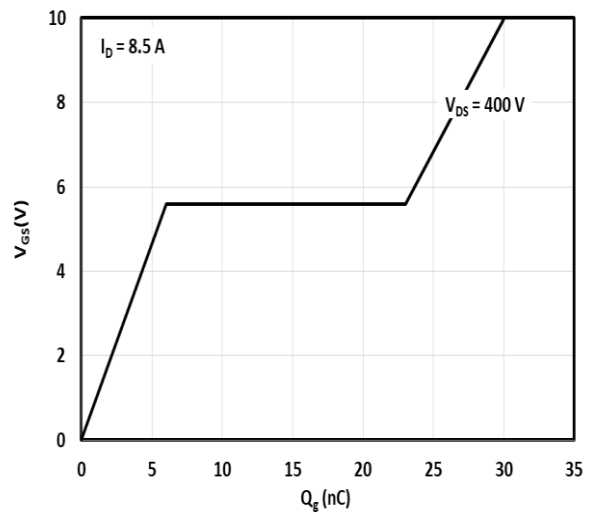
**Fig. 1 Typical output characteristics**



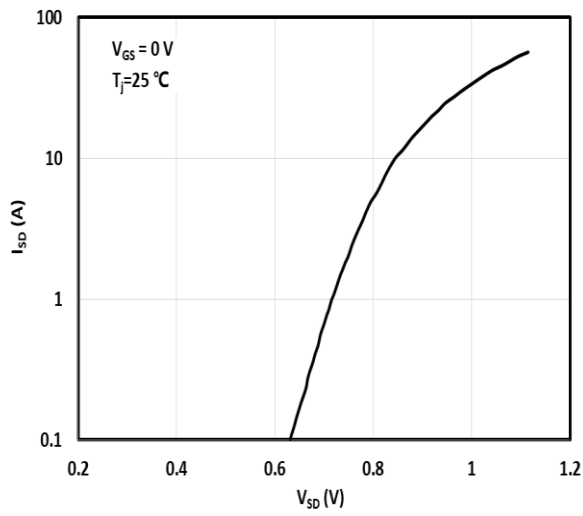
**Fig. 2 Typical transfer characteristics**



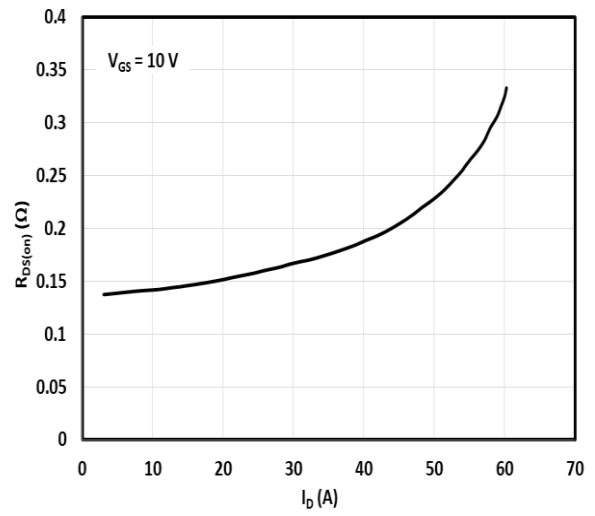
**Fig. 3 Typical capacitance characteristics**



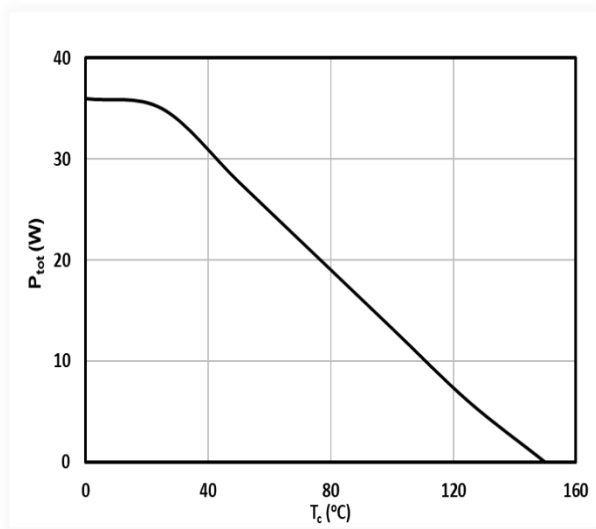
**Fig. 4 Typical gate charge characteristics**



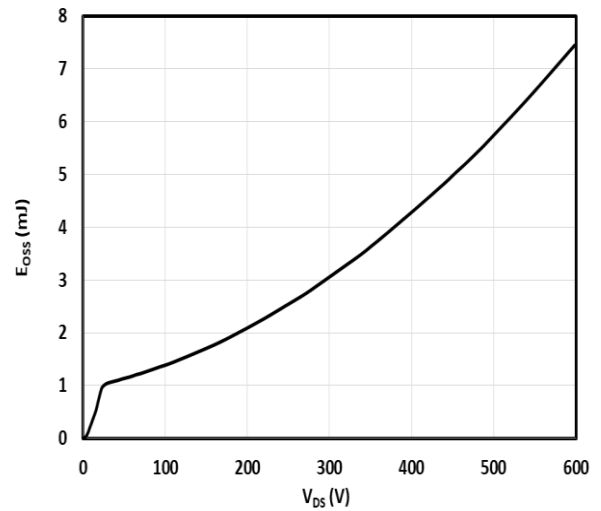
**Fig. 5 Typical forward characteristics of body diode**



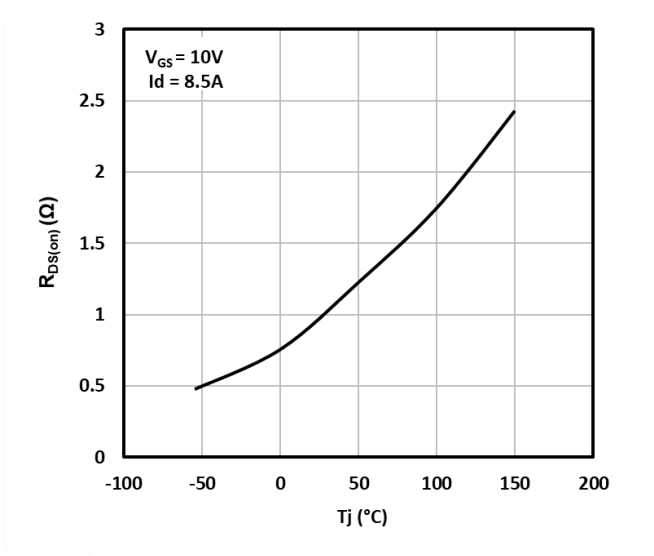
**Fig. 6 Typical drain-source on-state resistance**



**Fig. 7 Typical power dissipation**



**Fig. 8 Typical C<sub>oss</sub> stored energy**



**Fig. 9 On-resistance Characteristics vs. Temperature**

Test Circuits and Waveforms

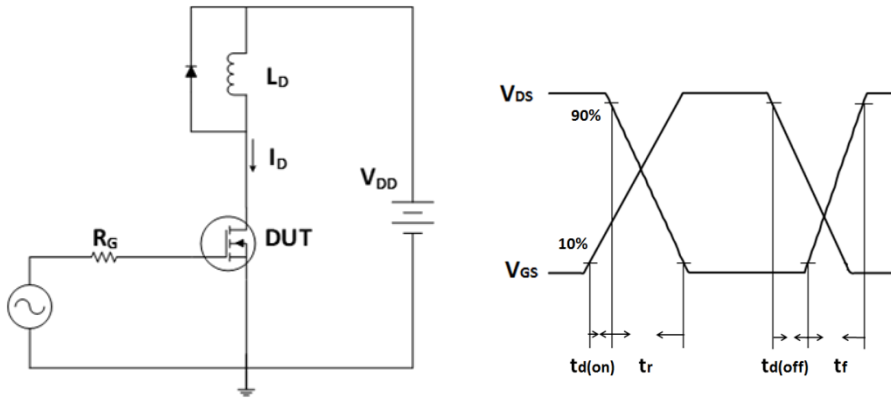


Fig. 1 Inductive switching time test circuit & waveforms

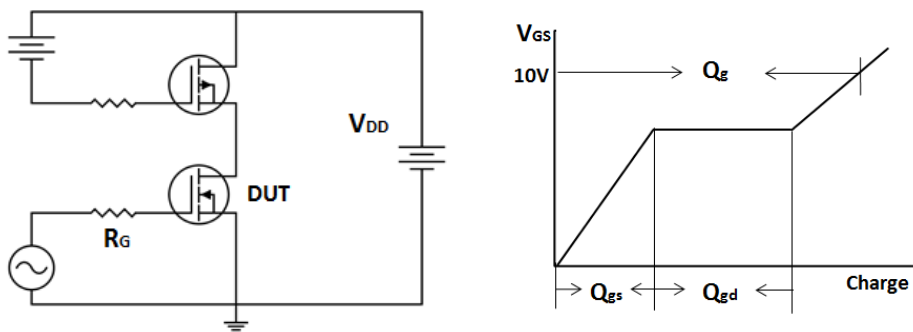


Fig. 2 Gate charge test circuit & waveform

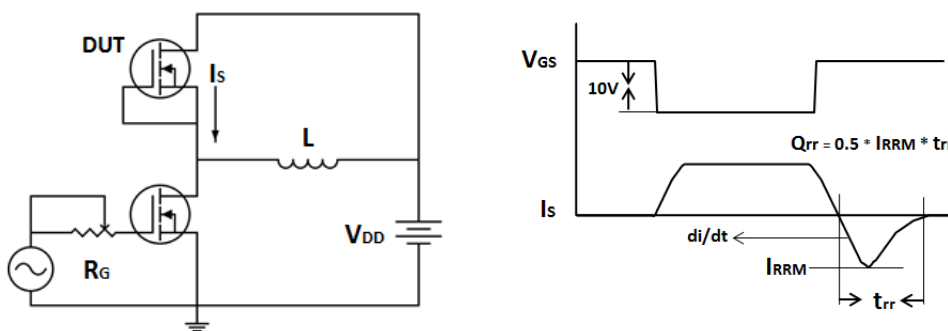


Fig. 3 Peak diode recovery dv/dt test circuit & waveforms



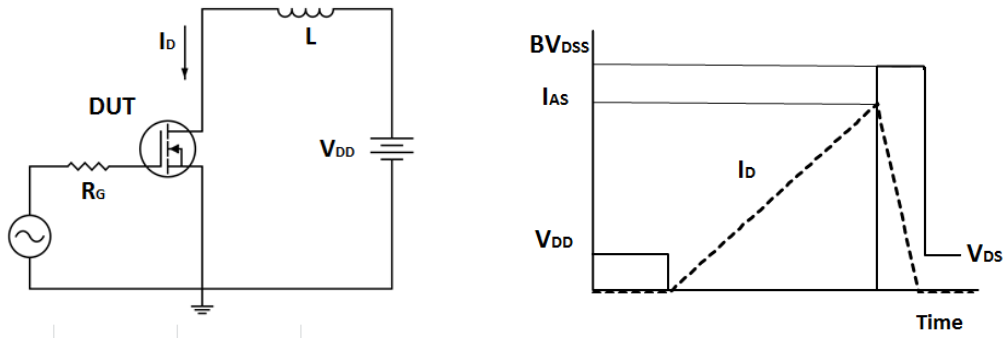
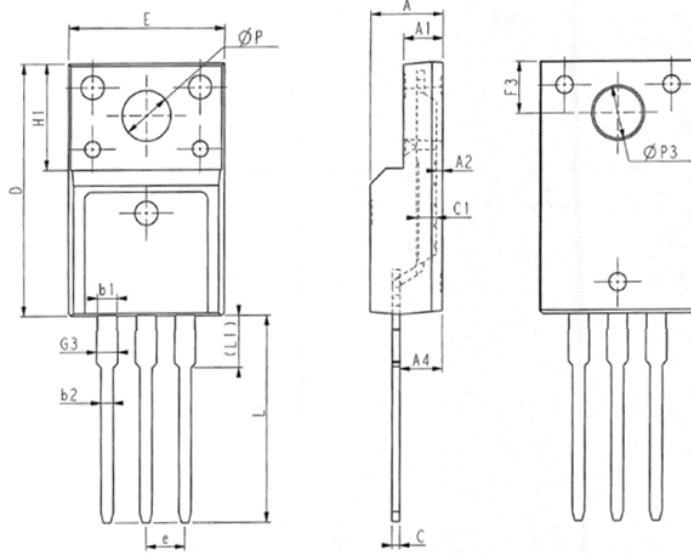


Fig. 4 Unclamped inductive switching test circuit & waveforms

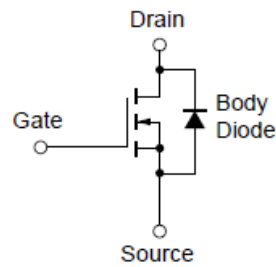
**Package Drawing**



SYMBOL	MM		
	MIN	NOM	MAX
E	9.96	10.16	10.36
A	4.50	4.70	4.90
A1	2.34	2.54	2.74
A2	0.30	0.45	0.60
A4	2.56	2.76	2.96
c	0.40	0.50	0.65
c1	1.20	1.30	1.35
D	15.57	15.87	16.17
H1	6.70REF		
e	2.54BSC		
L	12.68	12.98	13.28
L1	3.03	3.23	3.43
ØP	3.03	3.18	3.38
ØP3	3.15	3.45	3.65
F3	3.15	3.30	3.45
G3	1.25	1.35	1.55
b1	1.18	1.28	1.43
b2	0.70	0.80	0.95

**TO-220MF**

**Equivalent Circuit**



Revision history of JCG60R180S specification

Version	Change Items	Effective Date
1.00	Initial release.	12-Jan-22

---

## Notice

**General** – Information in this document is believed to be accurate and reliable. However, JSAB Technologies does not give any representations or warranties, expressed or implied, as to the accuracy or completeness of such information and shall have no liability for the consequences of use of such information.

**Right to make changes** – JSAB Technologies reserves the right to make changes to information published in this document, including without limitation specifications and product descriptions, at any time and without notice. This document supersedes and replaces all information supplied prior to the publication hereof.

**Suitability for use** – JSAB Technologies' products are not designed, authorized or warranted to be suitable for use in medical, military, aircraft, space or life support equipment, nor in applications where failure or malfunction of an JSAB Technologies product can reasonably be expected to result in personal injury, death or severe property or environmental damage. JSAB Technologies accepts no liability for inclusion and/or use of JSAB Technologies' products in such equipment or applications and therefore such inclusion and/or use is at the customer's own risk.

**Applications** – Applications that are described herein for any of these products are for illustrative purposes only. JSAB Technologies makes no representation or warranty that such applications will be suitable for the specified use without further testing or modification.

**Limiting values** – Stress above one or more limiting values may cause permanent damage to the device. Limiting values are stress ratings only and operation of the device at these or any other conditions above those given in the Characteristics sections of this document is not implied. Exposure to limiting values for extended periods may affect device reliability.

**Terms and conditions of sale** – JSAB Technologies' products are sold subject to the general terms and conditions of commercial sale, including those pertaining to warranty, intellectual property rights infringement and limitation of liability, unless explicitly otherwise agreed to in writing by JSAB Technologies. In case of any inconsistency or conflict between information in this document and such terms and conditions, the latter will prevail.

**No offer to sell or license** – Nothing in this document may be interpreted or construed as an offer to sell products that is open for acceptance or the grant, conveyance or implication of any license under any copyrights, patents or other industrial or intellectual property rights.

**Export control** – This document as well as the item(s) described herein may be subject to export control regulations. Export might require a prior authorization from national authorities.

**Quick reference data** – The Quick reference data is an extract of the product data given in the Limiting values and Characteristics sections of this document, and as such is not complete, exhaustive or legally binding.